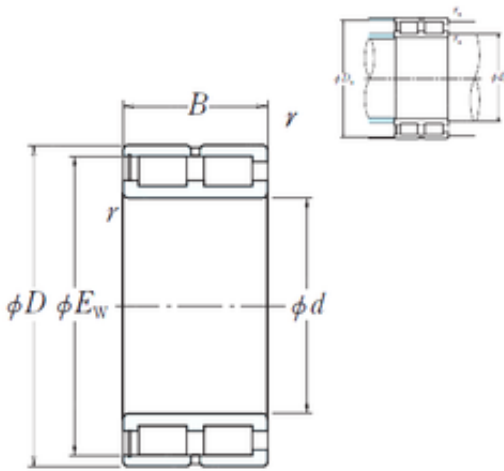




NNCF4960V NSK CYLINDRICAL ROLLER BEARING

Bearing No. NNCF4960V



NNCF4960V Bearing 2D drawings and 3D CAD models

Size	300x386.5x118 mm
Bore Diameter	300 mm
Outer Diameter	386,5 mm
Width	118 mm
d	300 mm
D	420 mm
Ew	386,5 mm
B	118 mm
C	118 mm
r min.	3 mm
Da	398 mm
ra max.	2,5 mm
da	320 mm
Weight	52 Kg
Basic dynamic load rating (C)	1580 kN