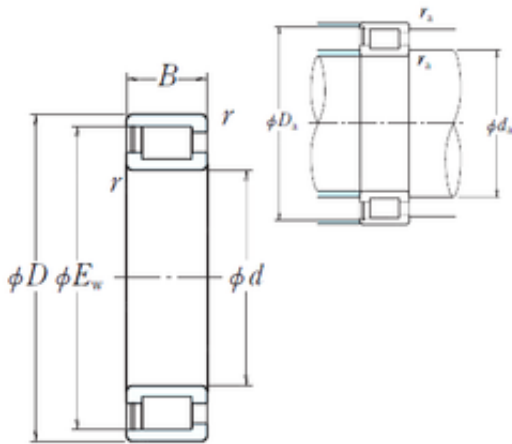




NTNY BEARING LTD

NCF18/800V NSK CYLINDRICAL ROLLER BEARING

Bearing No. NCF18/800V



NCF18/800V Bearing 2D drawings and 3D CAD models

Size	800x936x82 mm
Bore Diameter	800 mm
Outer Diameter	936 mm
Width	82 mm
d	800 mm
D	980 mm
Ew	936 mm
B	82 mm
C	82 mm
r min.	5 mm
Da	940 mm
ra max.	4 mm
da	837 mm
Weight	123,1 Kg
Basic dynamic load rating (C)	2110 kN