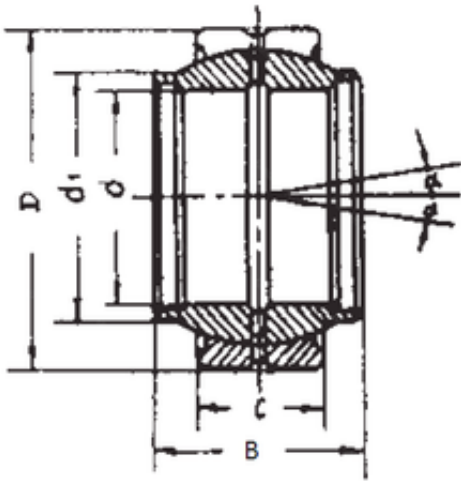




NTNY BEARING LTD



220 mm x 320 mm x 135 mm FBJ GE220XS
plain bearings

Bearing No. GE220XS

Size	220x320x135 mm
Bore Diameter	220 mm
Outer Diameter	320 mm
Width	135 mm
d	220 mm
D	320 mm
B	135 mm
C	100 mm
d1	238 mm
Angle	8 °
Weight	35.5 Kg
Basic dynamic load rating (C)	2320 kN

GE220XS Bearing 2D drawings and 3D CAD models