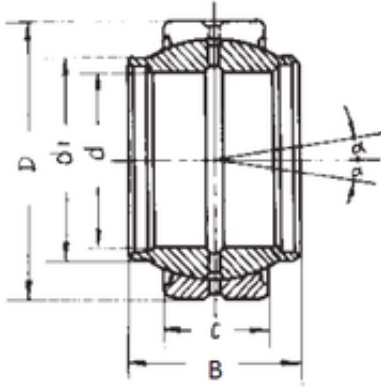




# NTNY BEARING LTD

30 mm x 47 mm x 30 mm FBJ GEEW30ES-2RS  
plain bearings



Bearing No. GEEW30ES-2RS

Size	30x47x30 mm
Bore Diameter	30 mm
Outer Diameter	47 mm
Width	30 mm
d	30 mm
D	47 mm
B	30 mm
C	18 mm
d1	34 mm
Angle	4 °
Weight	0,168 Kg
Basic dynamic load rating (C)	62 kN

GEEW30ES-2RS Bearing 2D drawings and 3D CAD models