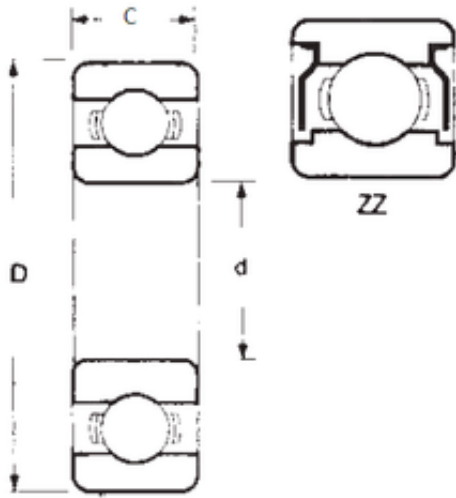




NTNY BEARING LTD



35 mm x 100 mm x 25 mm FBJ 6407ZZ deep groove ball bearings

Bearing No. 6407ZZ

Size	35x100x25 mm
Bore Diameter	35 mm
Outer Diameter	100 mm
Width	25 mm
d	35 mm
D	100 mm
B	25 mm
C	25 mm
Weight	0,926 Kg
Basic dynamic load rating (C)	0,0568 kN
Basic static load rating (C0)	0,0295 kN

6407ZZ Bearing 2D drawings and 3D CAD models