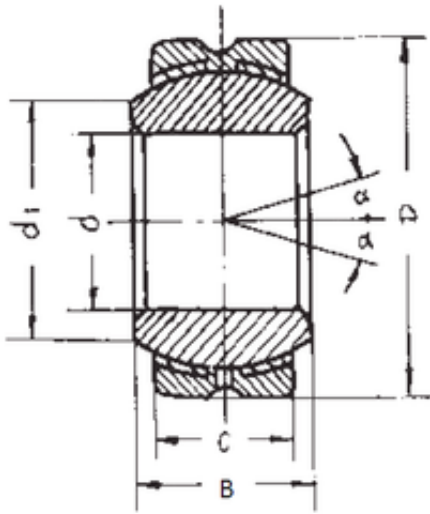




NTNY BEARING LTD



10 mm x 26 mm x 14 mm FBJ GEBK10S plain bearings

Bearing No. GEBK10S

Size	10x26x14 mm
Bore Diameter	10 mm
Outer Diameter	26 mm
Width	14 mm
d	10 mm
D	26 mm
B	14 mm
C	10,5 mm
d1	12,9 mm
Angle	14 °
Weight	0,039 Kg
Basic dynamic load rating (C)	7,8 kN

GEBK10S Bearing 2D drawings and 3D CAD models