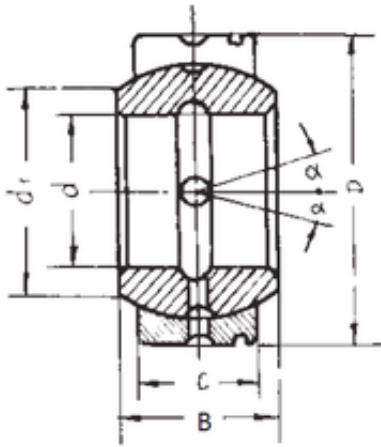




NTNY BEARING LTD



130 mm x 200 mm x 110 mm FBJ GE130XS/K
plain bearings

Bearing No. GE130XS/K

| | |
|-------------------------------|----------------|
| Size | 130x200x110 mm |
| Bore Diameter | 130 mm |
| Outer Diameter | 200 mm |
| Width | 110 mm |
| d | 130 mm |
| D | 200 mm |
| B | 110 mm |
| C | 95 mm |
| d1 | 148,5 mm |
| Angle | 5 ° |
| Weight | 13,8 Kg |
| Basic dynamic load rating (C) | 1390 kN |

GE130XS/K Bearing 2D drawings and 3D CAD models