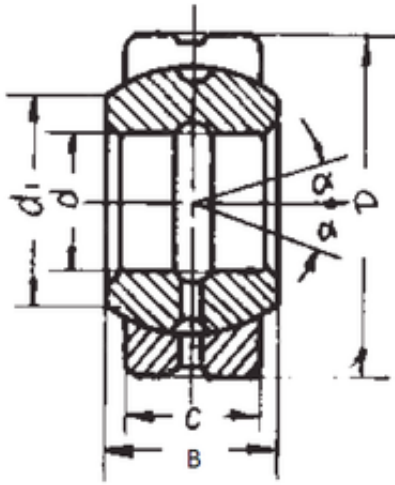




NTNY BEARING LTD



180 mm x 290 mm x 155 mm FBJ GEG180ES
plain bearings

Bearing No. GEG180ES

Size	180x290x155 mm
Bore Diameter	180 mm
Outer Diameter	290 mm
Width	155 mm
d	180 mm
D	290 mm
B	155 mm
C	100 mm
d1	196 mm
Angle	14 °
Weight	32,21 Kg
Basic dynamic load rating (C)	2120 kN

GEG180ES Bearing 2D drawings and 3D CAD models