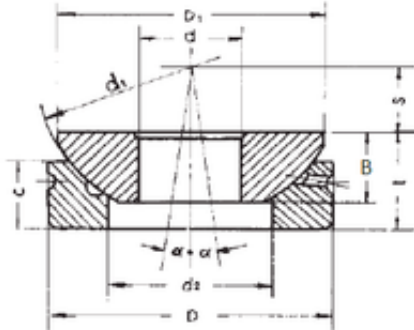




NTNY BEARING LTD

12 mm x 35 mm x 9,5 mm FBJ GX12S plain bearings



Bearing No. GX12S

Size	12x35x13 mm
Bore Diameter	12 mm
Outer Diameter	35 mm
Width	13 mm
d	12 mm
D	35 mm
T	13 mm
B	9,5 mm
C	9,3 mm
d1	38 mm
d2	18 mm
D1	32 mm
S	8 mm
Angle	8 °
Weight	0,072 Kg
Basic dynamic load rating (C)	32,5 kN

GX12S Bearing 2D drawings and 3D CAD models