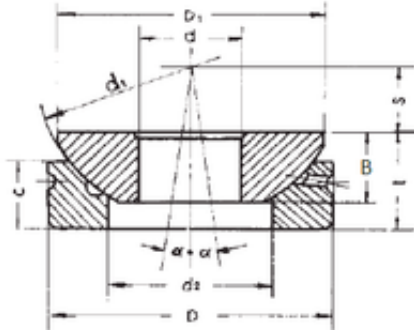




# NTNY BEARING LTD

## 50 mm x 130 mm x 33 mm FBJ GX50S plain bearings



Bearing No. GX50S

Size	50x130x42.5 mm
Bore Diameter	50 mm
Outer Diameter	130 mm
Width	42,5 mm
d	50 mm
D	130 mm
T	42,5 mm
B	33 mm
C	30,5 mm
d1	139 mm
d2	70 mm
D1	120 mm
S	30 mm
Angle	7 °
Weight	3,14 Kg
Basic dynamic load rating (C)	655 kN

GX50S Bearing 2D drawings and 3D CAD models