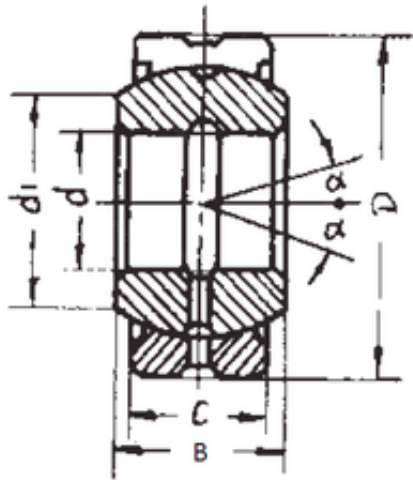




NTNY BEARING LTD



220 mm x 340 mm x 175 mm FBJ
GEG220ES-2RS plain bearings

Bearing No. GEG220ES-2RS

Size	220x340x175 mm
Bore Diameter	220 mm
Outer Diameter	340 mm
Width	175 mm
d	220 mm
D	340 mm
B	175 mm
C	100 mm
d1	243 mm
Angle	16 °
Weight	51,12 Kg
Basic dynamic load rating (C)	2550 kN

GEG220ES-2RS Bearing 2D drawings and 3D CAD models