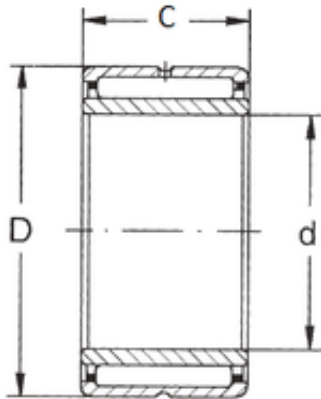




NTNY BEARING LTD

65 mm x 90 mm x 25 mm FBJ NKI 65/25 needle roller bearings



Bearing No. NKI 65/25

Size	65x90x25 mm
Bore Diameter	65 mm
Outer Diameter	90 mm
Width	25 mm
d	65 mm
D	90 mm
B	25 mm
C	25 mm
Weight	0,467 Kg
Basic dynamic load rating (C)	54 kN
Basic static load rating (C0)	100 kN
(Grease) Lubrication Speed	3700 r/min

NKI 65/25 Bearing 2D drawings and 3D CAD models