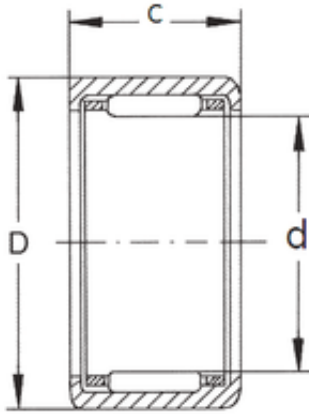




NTNY BEARING LTD

FBJ HK2012 needle roller bearings



Bearing No. HK2012

Size	20x26x12 mm
Bore Diameter	20 mm
Outer Diameter	26 mm
Width	12 mm
d	20 mm
D	26 mm
C	12 mm
Weight	0,0141 Kg
Basic dynamic load rating (C)	7,6 kN
Basic static load rating (C0)	10,1 kN
(Grease) Lubrication Speed	6000 r/min

HK2012 Bearing 2D drawings and 3D CAD models