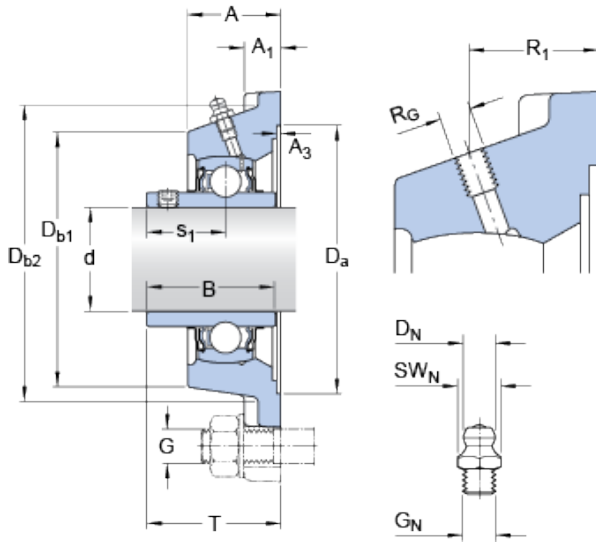




NTNY BEARING LTD



skf fjy 50 tf bearing

Bearing No. fjy 50 tf

Size	50x40x15 mm
Bore Diameter	50 mm
Outer Diameter	40 mm
Width	15 mm
d	50 mm
A	40 mm
A ₁	15 mm
A ₃ - H14	3.2 mm
B	51.6 mm
D _a - H11	125.4 mm
D _{b1}	116 mm
D _{b2}	118 mm
J	111 mm
L	143 mm
H	16 mm
s ₁	32.6 mm
T	54.6 mm
J ₆	129 mm
J ₇	35.5 mm
N ₄	4 mm
D _N	6.5 mm
SW _N	7 mm
G _N - 1/4-28 SAE-LT	1/428 SAELT
R _G - 1/4-28 UNF	1/428 UNF
R ₁	22 mm

fjy 50 tf Bearing 2D drawings and 3D CAD models



NTNY BEARING LTD

Basic dynamic load rating - C	35.1 kN
Basic static load rating - C ₀	23.2 kN
Fatigue load limit - P _u	0.98 kN
Limiting speed	4000 r/min
Mass bearing unit	2.35 kg
Thread - G ₂	M10x1
Hexagonal key size for grub screw - H	5 mm
Category	Mounted Units & Inserts
Inventory	0.0
Manufacturer Name	SKF
Minimum Buy Quantity	N/A
Weight / Kilogram	2.596
EAN	7316571006765
Product Group	M06110
bore diameter:	50 mm
radial dynamic load capacity:	35.1 kN
bolt center-to-center length:	111 mm
radial static load capacity:	23.2 kN
overall length/diameter:	143 mm
length through bore:	51.6 mm
overall height:	54.6 mm
finish/coating:	Blue Alkyd/Acryl Paint (RAL 5007)
bore type:	Round
bolt size:	16 mm
mounting type:	Four-Bolt Flange
maximum rpm:	4000 rpm
housing material:	Cast Iron
lubrication type:	Lubrication Fitting
locking device:	Set Screw



NTNY BEARING LTD

series:	FYJ
expansion type:	Non-Expansion Bearing (Fixed)
manufacturer product page:	Click here
bearing material:	Steel
manufacturer upc number:	7316571006765
Housing material	Cast iron
D_a	125.4 mm
D_{b1}	116 mm
D_{b2}	118 mm
A_1	15 mm
A_3	3.2 mm
N	16 mm
s_1	32.6 mm
R_G	1/4-28 UNF
R_1	22 mm
D_N	6.5 mm
SW_N	7 mm
G_N	1/4-28 SAE-LT
J_6	129 mm
J_7	35.5 mm
N_4	4 mm
Basic dynamic load rating C	35.1 kN
Basic static load rating C_0	23.2 kN
Fatigue load limit P_u	0.98 kN
Thread grub screw G_2	M10x1
Hexagonal key size for grub screw N	5 mm
Recommended tightening torque for grub screw	16.5 N · m
Recommended diameter for attachment bolts, mm G	14 mm
Recommended diameter for attachment bolts, inch G	0.5625 in



NTNY BEARING LTD