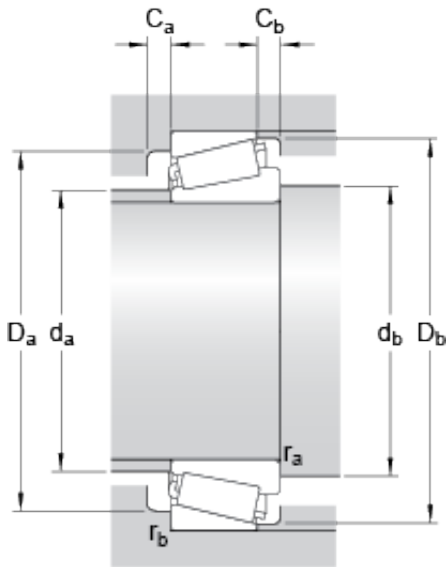




# NTNY BEARING LTD

60 mm x 130 mm x 31 mm skf 30312 bearing

Bearing No. 30312



30312 Bearing 2D drawings and 3D CAD models

Dimension series	2FB
d	60 mm
D	130 mm
T	33.5 mm
d <sub>1</sub>	91.87 mm
B	31 mm
C	26 mm
r <sub>1,2</sub> min.	3 mm
r <sub>3,4</sub> min.	2.5 mm
a	25.713 mm
d <sub>a</sub> max.	77 mm
d <sub>b</sub> min.	72.5 mm
D <sub>a</sub> min.	112 mm
D <sub>a</sub> max.	119.5 mm
D <sub>b</sub> min.	120 mm
C <sub>a</sub> min.	5 mm
C <sub>b</sub> min.	7.5 mm
r <sub>a</sub> max.	3 mm
r <sub>b</sub> max.	2.5 mm
Basic dynamic load rating C	208 kN
Basic static load rating C <sub>0</sub>	196 kN
Fatigue load limit P <sub>u</sub>	23.6 kN
Reference speed	4300 r/min
Limiting speed	5300 r/min
Calculation factor e	0.35
Calculation factor Y	1.7



## NTNY BEARING LTD

Calculation factor $Y_0$	0.9
Mass bearing	1.96 kg