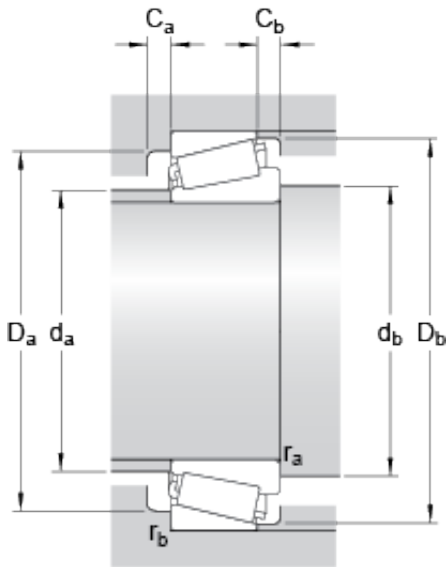




# NTNY BEARING LTD

## 60 mm x 110 mm x 38 mm skf 33212 bearing

Bearing No. 33212



33212 Bearing 2D drawings and 3D CAD models

Dimension series	3EE
d	60 mm
D	110 mm
T	38 mm
d <sub>1</sub>	85.3 mm
B	38 mm
C	29 mm
r <sub>1,2</sub> min.	2 mm
r <sub>3,4</sub> min.	1.5 mm
a	27.314 mm
d <sub>a</sub> max.	69 mm
d <sub>b</sub> min.	70.5 mm
D <sub>a</sub> min.	93 mm
D <sub>a</sub> max.	102 mm
D <sub>b</sub> min.	105 mm
C <sub>a</sub> min.	6 mm
C <sub>b</sub> min.	9 mm
r <sub>a</sub> max.	2 mm
r <sub>b</sub> max.	1.5 mm
Basic dynamic load rating C	207 kN
Basic static load rating C <sub>0</sub>	236 kN
Fatigue load limit P <sub>u</sub>	26.5 kN
Reference speed	4500 r/min
Limiting speed	6000 r/min
Calculation factor e	0.4
Calculation factor Y	1.5



## NTNY BEARING LTD

Calculation factor $Y_0$	0.8
Mass bearing	1.55 kg