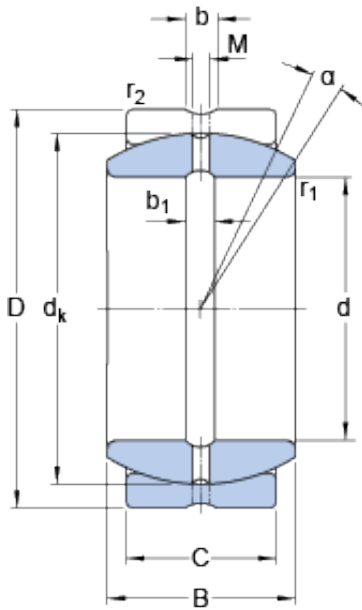




NTNY BEARING LTD

30 mm x 47 mm x 22 mm skf ge 30 es bearing



Bearing No. ge 30 es

Size	47x30x22 mm
Bore Diameter	47 mm
Outer Diameter	30 mm
Width	22 mm
d	30 mm
D	47 mm
B	22 mm
C	18 mm
	6 °
d _k	40.7 mm
b	3.1 mm
b ₁	3.1 mm
M	2 mm
r ₁ - min.	0.6 mm
r ₂ - min.	0.6 mm
d _a - min.	33.3 mm
d _a - max.	34.2 mm
D _a - min.	38.7 mm
D _a - max.	44 mm
r _a - max.	0.6 mm
r _b - max.	0.6 mm
Basic dynamic load rating - C	62 kN
Basic static load rating - C ₀	310 kN
Specific factor dinamic load - K	100 N/mm ²

ge 30 es Bearing 2D drawings and 3D CAD models



NTNY BEARING LTD

Specific factor static load - K_0	500 N/mm ²
Constant - K_M	330
Size	30x47x22 mm
Bore Diameter	30 mm
Outer Diameter	47 mm
Width	22 mm
d	30 mm
D	47 mm
B	22 mm
C	18 mm
	6 °
d_k	40.7 mm
b	3.1 mm
b_1	3.1 mm
M	2 mm
r_1 - min.	0.6 mm
r_2 - min.	0.6 mm
d_a - min.	33.3 mm
d_a - max.	34.2 mm
D_a - min.	38.7 mm
D_a - max.	44 mm
r_a - max.	0.6 mm
r_b - max.	0.6 mm
Basic dynamic load rating - C	62 kN
Basic static load rating - C_0	310 kN
Specific factor dynamic load - K	100 N/mm ²
Specific factor static load - K_0	500 N/mm ²
Constant - K_M	330



NTNY BEARING LTD

Category	Spherical Plain Bearings - Radial
Inventory	0.0
Manufacturer Name	SKF
Minimum Buy Quantity	N/A
Weight / Kilogram	0.16
EAN	7316576609329
Product Group	B04264
Self Aligning	Yes
Rolling Element	Spherical Plain
Material - Outer Member	Steel
Material - Ball	Steel
Material - Liner	Not Applicable
Relubricatable	Yes
Enclosure	Open
Other Features	2 Piece Lubrication Hole and an Annular Groove in Both Rings
Long Description	30MM Bore; 18MM Housing Width; 47MM Outside Diameter; Spherical Plain; Steel Outer Member; Steel Ball; No Liner; 22MM Overall Width; Relubricatable
Inch - Metric	Metric
Category	Plain Bearings Spherical Radial
UNSPSC	31171515
Harmonized Tariff Code	8483.30.80.70
Noun	Bearing
Keyword 3	Spherical
Keyword String	Plain Spherical Radial
Manufacturer URL	http://www.skf.com
Manufacturer Item Number	GE 30 ES



NTNY BEARING LTD

Weight / LBS	0.353
Housing Width	0.709 Inch 18 Millimeter
Bore	1.181 Inch 30 Millimeter
Outside Diameter	1.85 Inch 47 Millimeter
Overall Width	0.866 Inch 22 Millimeter
bore diameter:	30 mm
inner ring material:	Chrome Steel
outside diameter:	47 mm
outer ring width:	18 mm
misalignment angle:	6 °
grade:	Commercial/Industrial
inner ring width:	22 mm
radial static load capacity:	310 kN
bearing type:	Radial
radial dynamic load capacity:	62 kN
lubrication type:	Requires Lubrication
operating temperature range:	-50 to +200 ° C ° F
closure type:	Open
overall width:	22 mm
outer ring material:	Chrome Steel
manufacturer upc number:	7316576609329
Lubricant	Regular relubrication – grease
Design (sliding contact surface combination)	Steel/steel
Sealing solution	-
	6 °
d _k	40.7 mm
b ₁	3.1 mm
r ₁ min.	0.6 mm
r ₂ min.	0.6 mm



NTNY BEARING LTD

d_a min.	33.3 mm
d_a max.	34.2 mm
D_a min.	38.7 mm
D_a max.	44 mm
r_a max.	0.6 mm
r_b max.	0.6 mm
Basic dynamic load rating C	62 kN
Basic static load rating C_0	310 kN
Specific dynamic load factor K	100 N/mm ²
Specific static load factor K_0	500 N/mm ²
Material constant K_M	330
Mass plain bearing	0.16 kg