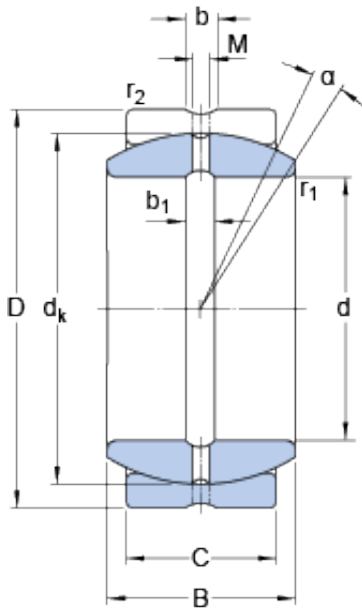




NTNY BEARING LTD

40 mm x 62 mm x 28 mm skf ge 40 es bearing



Bearing No. ge 40 es

Size	62x40x28 mm
Bore Diameter	62 mm
Outer Diameter	40 mm
Width	28 mm
d	40 mm
D	62 mm
B	28 mm
C	22 mm
	7 °
d _k	53 mm
b	3.9 mm
b ₁	3.9 mm
M	2.5 mm
r ₁ - min.	0.6 mm
r ₂ - min.	1 mm
d _a - min.	43.6 mm
d _a - max.	45 mm
D _a - min.	50.3 mm
D _a - max.	57.8 mm
r _a - max.	0.6 mm
r _b - max.	1 mm
Basic dynamic load rating - C	100 kN
Basic static load rating - C ₀	500 kN
Specific factor dinamic load - K	100 N/mm ²

ge 40 es Bearing 2D drawings and 3D CAD models



NTNY BEARING LTD

Specific factor static load - K_0	500 N/mm ²
Constant - K_M	330
Category	Spherical Plain Bearings - Radial
Inventory	0.0
Manufacturer Name	SKF
Minimum Buy Quantity	N/A
Weight / Kilogram	0.321
EAN	7316576609367
Product Group	B04264
Self Aligning	Yes
Rolling Element	Spherical Plain
Material - Outer Member	Steel
Material - Ball	Steel
Material - Liner	Not Applicable
Relubricatable	Yes
Enclosure	Open
Other Features	2 Piece Lubrication Hole and an Annular Groove in Both Rings
Long Description	40MM Bore; 22MM Housing Width; 62MM Outside Diameter; Spherical Plain; Steel Outer Member; Steel Ball; No Liner; 28MM Overall Width; Relubricatable
Inch - Metric	Metric
Category	Plain Bearings Spherical Radial
UNSPSC	31171515
Harmonized Tariff Code	8483.30.80.70
Noun	Bearing
Keyword 3	Spherical



NTNY BEARING LTD

Keyword String	Plain Spherical Radial
Manufacturer URL	http://www.skf.com
Manufacturer Item Number	GE 40 ES
Weight / LBS	0.705
Overall Width	1.102 Inch 28 Millimeter
Housing Width	0.866 Inch 22 Millimeter
Bore	1.575 Inch 40 Millimeter
Outside Diameter	2.441 Inch 62 Millimeter
bore diameter:	40 mm
inner ring material:	Chrome Steel
outside diameter:	62 mm
outer ring width:	22 mm
misalignment angle:	7 °
grade:	Commercial/Industrial
inner ring width:	28 mm
overall width:	28 mm
bearing type:	Radial
radial static load capacity:	500 kN
lubrication type:	Requires Lubrication
radial dynamic load capacity:	100 kN
closure type:	Open
operating temperature range:	-50 to +200 ° C ° F
outer ring material:	Chrome Steel
manufacturer upc number:	7316576609367
Lubricant	Regular relubrication – grease
Design (sliding contact surface combination)	Steel/steel
Sealing solution	-
	7 °
d _k	53 mm



NTNY BEARING LTD

b_1	3.9 mm
r_1 min.	0.6 mm
r_2 min.	1 mm
d_a min.	43.6 mm
d_a max.	45 mm
D_a min.	50.3 mm
D_a max.	57.8 mm
r_a max.	0.6 mm
r_b max.	1 mm
Basic dynamic load rating C	100 kN
Basic static load rating C_0	500 kN
Specific dynamic load factor K	100 N/mm ²
Specific static load factor K_0	500 N/mm ²
Material constant K_M	330
Mass plain bearing	0.32 kg