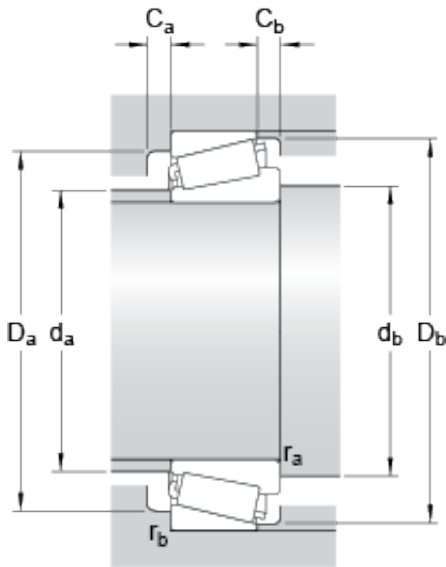




NTNY BEARING LTD

25 mm x 62 mm x 17 mm skf 31305 bearing

Bearing No. 31305



31305 Bearing 2D drawings and 3D CAD models

Dimension series	7FB
d	25 mm
D	62 mm
T	18.25 mm
d ₁	45.8 mm
B	17 mm
C	13 mm
r _{1,2} min.	1.5 mm
r _{3,4} min.	1.5 mm
a	19.689 mm
d _a max.	34 mm
d _b min.	33 mm
D _a min.	47 mm
D _a max.	55 mm
D _b min.	59 mm
C _a min.	3 mm
C _b min.	5 mm
r _a max.	1.5 mm
r _b max.	1.5 mm
Basic dynamic load rating C	46.6 kN
Basic static load rating C ₀	40 kN
Fatigue load limit P _u	4.4 kN
Reference speed	8500 r/min
Limiting speed	11000 r/min
Calculation factor e	0.83
Calculation factor Y	0.72



NTNY BEARING LTD

Calculation factor Y_0	0.4
Mass bearing	0.27 kg