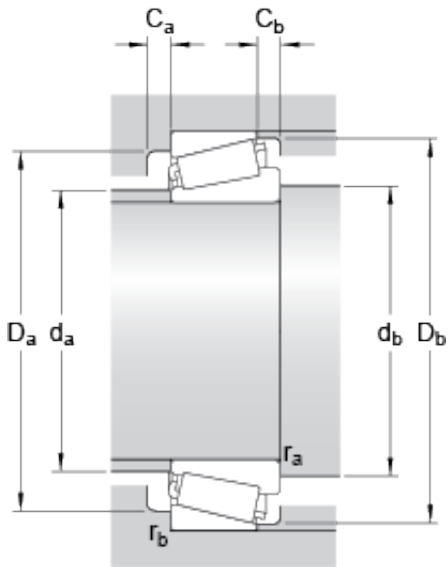




NTNY BEARING LTD

65 mm x 120 mm x 23 mm skf 30213 bearing

Bearing No. 30213



30213 Bearing 2D drawings and 3D CAD models

Dimension series	3EB
d	65 mm
D	120 mm
T	24.75 mm
d ₁	89 mm
B	23 mm
C	20 mm
r _{1,2} min.	2 mm
r _{3,4} min.	1.5 mm
a	23.054 mm
d _a max.	78 mm
d _b min.	75.5 mm
D _a min.	106 mm
D _a max.	111.5 mm
D _b min.	113 mm
C _a min.	4 mm
C _b min.	4.5 mm
r _a max.	2 mm
r _b max.	1.5 mm
Basic dynamic load rating C	141 kN
Basic static load rating C ₀	134 kN
Fatigue load limit P _u	16.3 kN
Reference speed	4500 r/min
Limiting speed	5600 r/min
Calculation factor e	0.4
Calculation factor Y	1.5



NTNY BEARING LTD

Calculation factor Y_0	0.8
Mass bearing	1.12 kg