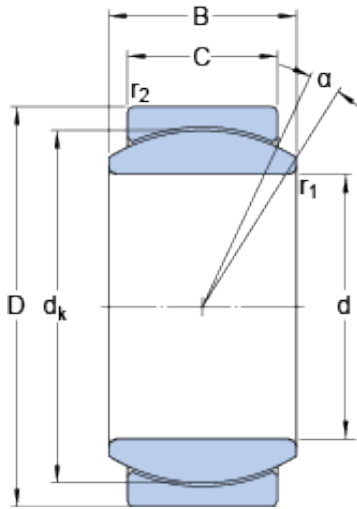




NTNY BEARING LTD

12 mm x 22 mm x 10 mm skf ge 12 txgr bearing



Bearing No. ge 12 txgr

ge 12 txgr Bearing 2D drawings and 3D CAD models

Size	22x12x10 mm
Bore Diameter	22 mm
Outer Diameter	12 mm
Width	10 mm
d	12 mm
D	22 mm
B	10 mm
C	7 mm
	10 °
d _k	18 mm
r ₁ - min.	0.3 mm
r ₂ - min.	0.3 mm
d _a - min.	13.8 mm
d _a - max.	15 mm
D _a - min.	17.1 mm
D _a - max.	20.4 mm
r _a - max.	0.3 mm
r _b - max.	0.3 mm
Basic dynamic load rating - C	30 kN
Basic static load rating - C ₀	50 kN
Specific factor dinamic load - K	300 N/mm ²
Specific factor static load - K ₀	500 N/mm ²
Category	Spherical Plain Bearings - Radial



NTNY BEARING LTD

Inventory	0.0
Manufacturer Name	SKF
Minimum Buy Quantity	N/A
Weight / Kilogram	0.02
EAN	7316572512524
Product Group	B04264
Self Aligning	Yes
Rolling Element	Spherical Plain
Material - Outer Member	Stainless Steel
Material - Ball	Stainless Steel
Material - Liner	Teflon
Relubricatable	No
Enclosure	Open
Other Features	2 Piece Corrosion Resistance Self Lubricating
Long Description	12MM Bore; 7MM Housing Width; 22MM Outside Diameter; Spherical Plain; Stainless Steel Outer Member; Stainless Steel Ball; Teflon Liner; 10MM Overall Width; Not Relubricatable
Inch - Metric	Metric
Category	Plain Bearings Spherical Radial
UNSPSC	31171515
Harmonized Tariff Code	8483.30.80.70
Noun	Bearing
Keyword 3	Spherical
Keyword String	Plain Spherical Radial
Manufacturer URL	http://www.skf.com
Manufacturer Item Number	GE 12 TXGR
Weight / LBS	0.037
Outside Diameter	0.866 Inch 22 Millimeter
Housing Width	0.276 Inch 7 Millimeter



NTNY BEARING LTD

Overall Width	0.394 Inch 10 Millimeter
Bore	0.472 Inch 12 Millimeter
bore diameter:	12 mm
inner ring material:	Steel
outside diameter:	22 mm
outer ring width:	7 mm
misalignment angle:	10 °
race material:	PTFE Composite
inner ring width:	10 mm
radial static load capacity:	50 kN
bearing type:	Radial
radial dynamic load capacity:	30 kN
lubrication type:	Maintenance Free/Self-Lubricating
operating temperature range:	-50 to +150 ° C ° F
closure type:	Open
overall width:	10 mm
outer ring material:	Chrome Steel
manufacturer upc number:	7316572512524
Lubricant	Maintenance free – dry lubrication
Design (sliding contact surface combination)	Steel/PTFE fabric
Sealing solution	-
	10 °
d_k	18 mm
r_1 min.	0.3 mm
r_2 min.	0.3 mm
d_a min.	13.8 mm
d_a max.	15 mm
D_a min.	17.1 mm
D_a max.	20.4 mm



NTNY BEARING LTD

r_a max.	0.3 mm
r_b max.	0.3 mm
Basic dynamic load rating C	30 kN
Basic static load rating C_0	50 kN
Specific dynamic load factor K	300 N/mm ²
Specific static load factor K_0	500 N/mm ²
Mass plain bearing	0.017 kg