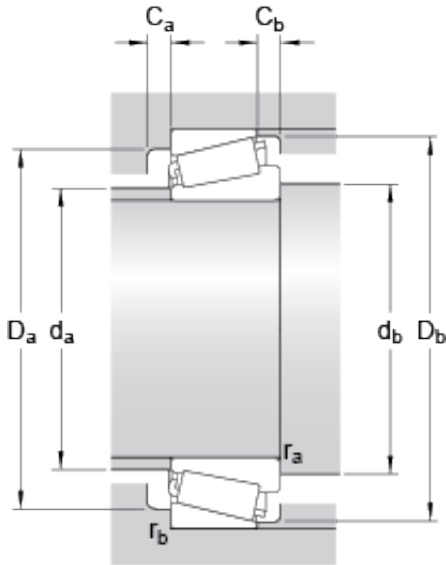




# NTNY BEARING LTD

## 70 mm x 125 mm x 31 mm skf 32214 bearing

Bearing No. 32214



32214 Bearing 2D drawings and 3D CAD models

Dimension series	3EC
d	70 mm
D	125 mm
T	33.25 mm
d <sub>1</sub>	95 mm
B	31 mm
C	27 mm
r <sub>1,2</sub> min.	2 mm
r <sub>3,4</sub> min.	1.5 mm
a	28.104 mm
d <sub>a</sub> max.	81 mm
d <sub>b</sub> min.	80.5 mm
D <sub>a</sub> min.	108 mm
D <sub>a</sub> max.	116.5 mm
D <sub>b</sub> min.	119 mm
C <sub>a</sub> min.	4 mm
C <sub>b</sub> min.	6 mm
r <sub>a</sub> max.	2 mm
r <sub>b</sub> max.	1.5 mm
Basic dynamic load rating C	195 kN
Basic static load rating C <sub>0</sub>	208 kN
Fatigue load limit P <sub>u</sub>	24.5 kN
Reference speed	4300 r/min
Limiting speed	5300 r/min
Calculation factor e	0.43
Calculation factor Y	1.4



## NTNY BEARING LTD

Calculation factor $Y_0$	0.8
Mass bearing	1.6 kg