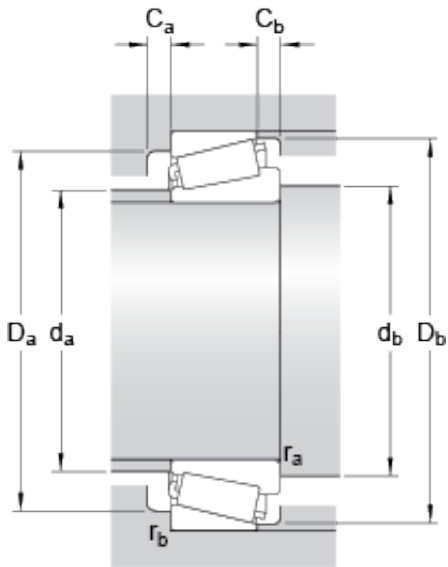




NTNY BEARING LTD



skf 33208 bearing

Bearing No. 33208

33208 Bearing 2D drawings and 3D CAD models

Dimension series	2DE
d	40 mm
D	80 mm
T	32 mm
d ₁	59.75 mm
B	32 mm
C	25 mm
r _{1,2} min.	1.5 mm
r _{3,4} min.	1.5 mm
a	20.557 mm
d _a max.	47 mm
d _b min.	48.5 mm
D _a min.	67 mm
D _a max.	72.5 mm
D _b min.	76 mm
C _a min.	5 mm
C _b min.	7 mm
r _a max.	1.5 mm
r _b max.	1.5 mm
Basic dynamic load rating C	128 kN
Basic static load rating C ₀	132 kN
Fatigue load limit P _u	15 kN
Reference speed	6300 r/min
Limiting speed	8500 r/min
Calculation factor e	0.35
Calculation factor Y	1.7



NTNY BEARING LTD

Calculation factor Y_0	0.9
Mass bearing	0.73 kg