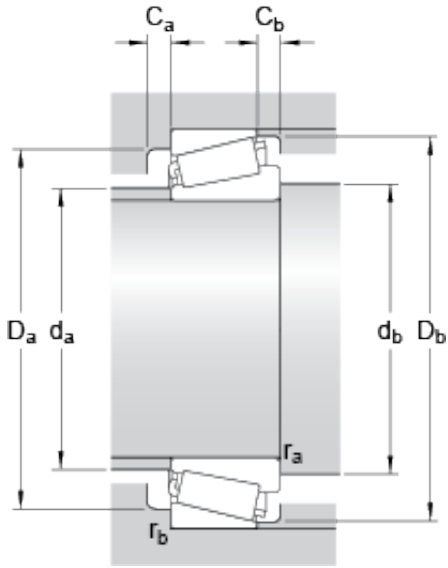




# NTNY BEARING LTD



## skf 30205 bearing

Bearing No. 30205

30205 Bearing 2D drawings and 3D CAD models

Dimension series	3CC
d	25 mm
D	52 mm
T	16.25 mm
d <sub>1</sub>	38 mm
B	15 mm
C	13 mm
r <sub>1,2</sub> min.	1 mm
r <sub>3,4</sub> min.	1 mm
a	12.33 mm
d <sub>a</sub> max.	32 mm
d <sub>b</sub> min.	31.5 mm
D <sub>a</sub> min.	44 mm
D <sub>a</sub> max.	46 mm
D <sub>b</sub> min.	48 mm
C <sub>a</sub> min.	2 mm
C <sub>b</sub> min.	3 mm
r <sub>a</sub> max.	1 mm
r <sub>b</sub> max.	1 mm
Basic dynamic load rating C	38.1 kN
Basic static load rating C <sub>0</sub>	33.5 kN
Fatigue load limit P <sub>u</sub>	3.45 kN
Reference speed	11000 r/min
Limiting speed	13000 r/min
Calculation factor e	0.37
Calculation factor Y	1.6



## NTNY BEARING LTD

Calculation factor $Y_0$	0.9
Mass bearing	0.15 kg