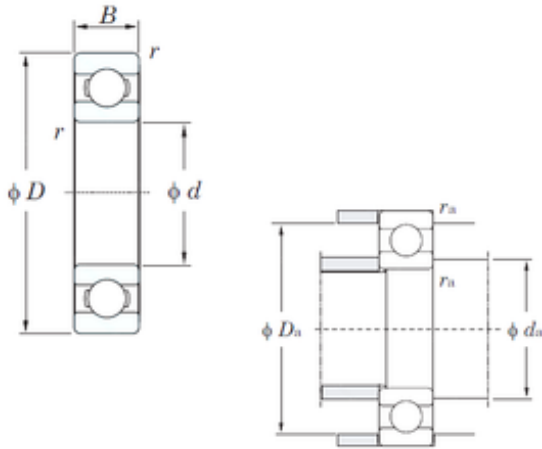




# NTNY BEARING LTD

## 25 mm x 52 mm x 15 mm koyo 6205 bearing

Bearing No. 6205



6205 Bearing 2D drawings and 3D CAD models

Size	25x52x15 mm
Bore Diameter	25 mm
Outer Diameter	52 mm
Width	15 mm
d	25 mm
D	52 mm
B	15 mm
C	15 mm
r min.	1 mm
da min.	30 mm
Da max.	47 mm
ra max.	1 mm
Weight	0,128 Kg
Basic dynamic load rating (C)	14 kN
Basic static load rating (C0)	7,85 kN
(Grease) Lubrication Speed	13000 r/min
(Oil) Lubrication Speed	15000 r/min
Category	Single Row Ball Bearings
Inventory	0.0
Manufacturer Name	KOYO
Minimum Buy Quantity	N/A
Weight / Kilogram	0.142
EAN	0605790059476
Product Group	B00308
Enclosure	Open
Precision Class	ABEC 1   ISO P0



## NTNY BEARING LTD

Maximum Capacity / Filling Slot	No
Rolling Element	Ball Bearing
Snap Ring	No
Internal Special Features	No
Cage Material	Steel
Internal Clearance	C0-Medium
Inch - Metric	Metric
Long Description	25MM Bore; 52MM Outside Diameter; 15MM Outer Race Width; Open; Ball Bearing; ABEC 1   ISO P0; No Filling Slot; No Snap Ring; No Internal Special Features; C0-Medium Internal Clearance; Steel Cage
Other Features	Deep Groove
Category	Single Row Ball Bearing
UNSPSC	31171504
Harmonized Tariff Code	8482.10.50.68
Noun	Bearing
Keyword String	Ball
Manufacturer URL	<a href="http://www.koyousa.com">http://www.koyousa.com</a>
Weight / LBS	0.28219
Inner Race Width	0 Inch   0 Millimeter
Outer Race Width	0.591 Inch   15 Millimeter
Bore	0.984 Inch   25 Millimeter
Outside Diameter	2.047 Inch   52 Millimeter
Bearing No.	6205
r(min)	1
Cr	17.5
C0r	7.85
Cu	0.550
f0	13.9



## NTNY BEARING LTD

Grease lub.	13000
Oil lub.	15000
da(min)	30
Da(max)	47
ra(max)	1
(Refer.)Mass(kg)	0.128